



Fitment Instruction

Contour Kitchen Kit Drop Down Table to Suit 1250 Cupboard, 560 Cupboard, 750 Toyota Landcruiser Cupboard and Contour Kitchen Cupboard

Installation Instructions

Preliminary information

Installation and fitment instructions includes the tools required, fasteners included in the kit, and the hardware included in the kit.

Please follow the instructions and check installation steps with the images in this document.

Alu-Cab recommends that all sealing work is allowed to cure for 24 hours, after which you may drive the vehicle on normal paved roads. Before driving off-road with your Alu-Cab product or operating your roof conversion, an additional cure period of 48 hours is required.

Failure to follow these instructions will void your warranty. Please ensure that you follow the sealant manufacturers curing time as per their technical data sheet.

These times may differ slightly from the times we have recommended.



Service Enquiries email
queries@alu-cab.com

Installation Instructions

1.1

Tools & Items Required

13mm Ring Spanner/Socket

Ratchet

Rivet Gun

Drill

Ø5mm Drill Bit

Ø9mm Drill Bit

1.2

Fasteners Supplied

TABLE MOUNTING BRACKET 2

M8x20 HEX BOLT S/S 4

NCAP-ø8mm 12

M8 NYLOC NUT S/S 8

M8 OVERSIZED WASHER S/S 12

M8x25 HEX BOLT S/S 4

Installation Instructions

Preliminary information

The first step for fitting the Contour Kitchen Kit Drop Down Table is to install the Cupboard

Please note that there are 4 different cupboards that the Contour Kitchen Kit Drop Down Table will fit into

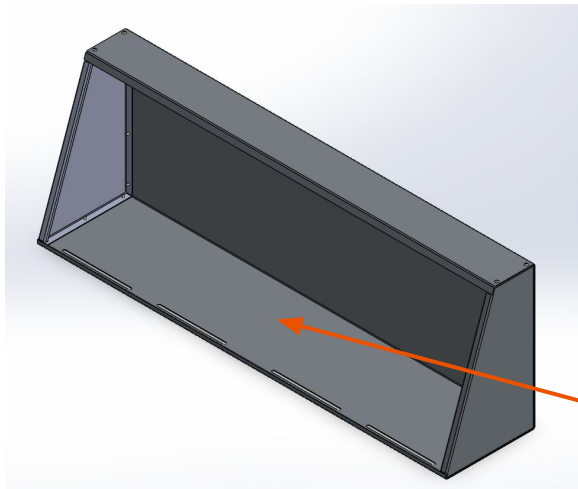
1. 1250 Cupboard
2. 560 Cupboard
3. Toyota Landcruiser 750 Cupboard
4. Contour Canopy Kitchen Cupboard

Installation instructions for the cupboards can be found [in this link](#).

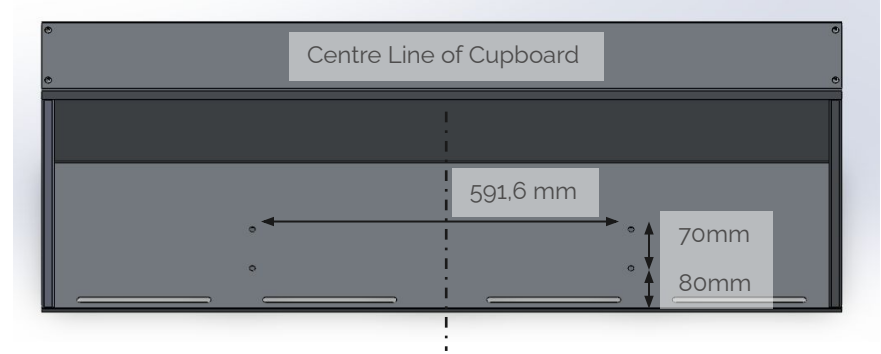
Installation Instructions

Fitment to 1250, TLC 750 and 560 Cupboard

1. With the cupboard installed it is necessary to mark out the holes that will be needed to mount the Contour Kitchen Kit Drop Down Table.
2. Mark the holes out as specified in the image below. With the centre line lying on the centre of the cupboard bottom.
3. Drill out the holes using a $\varnothing 9\text{mm}$ drill bit



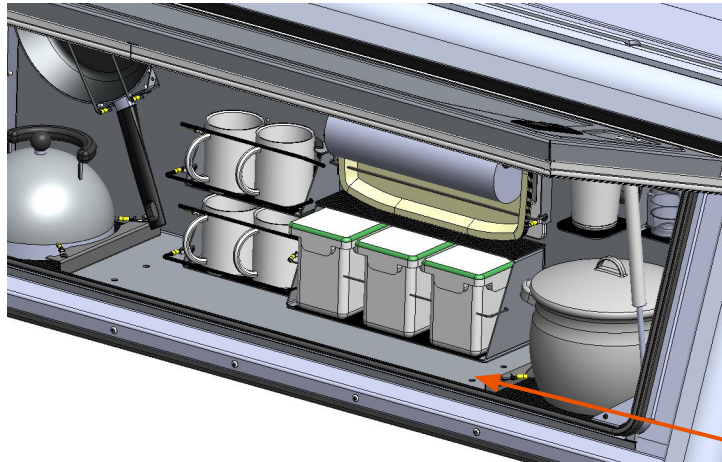
Cupboard Bottom



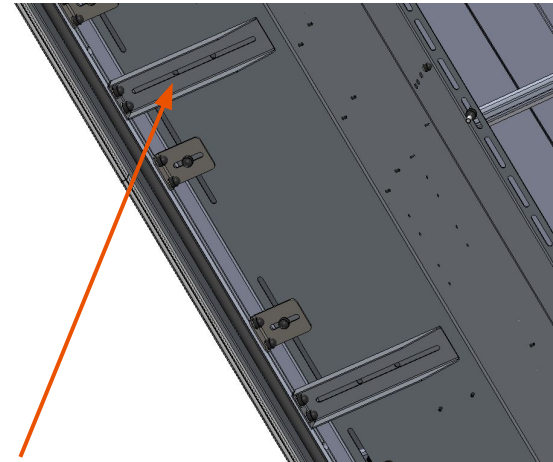
Installation Instructions

Fitment for all applicable cupboards

4. With holes available in the bottom face of the cupboard. It is possible to start fitting the Contour Kitchen Kit Drop Down Table.
5. Start by fitting the table mounting brackets to the canopy frame, making sure the slots on the brackets line up with holes in the bottom face of the cupboard. Fasten the brackets down by sliding the M8x20 hex bolts into the canopy frame and fastening the brackets down using the supplied M8 oversized washer, M8 nylock nut and a M8 plastic nut cap.



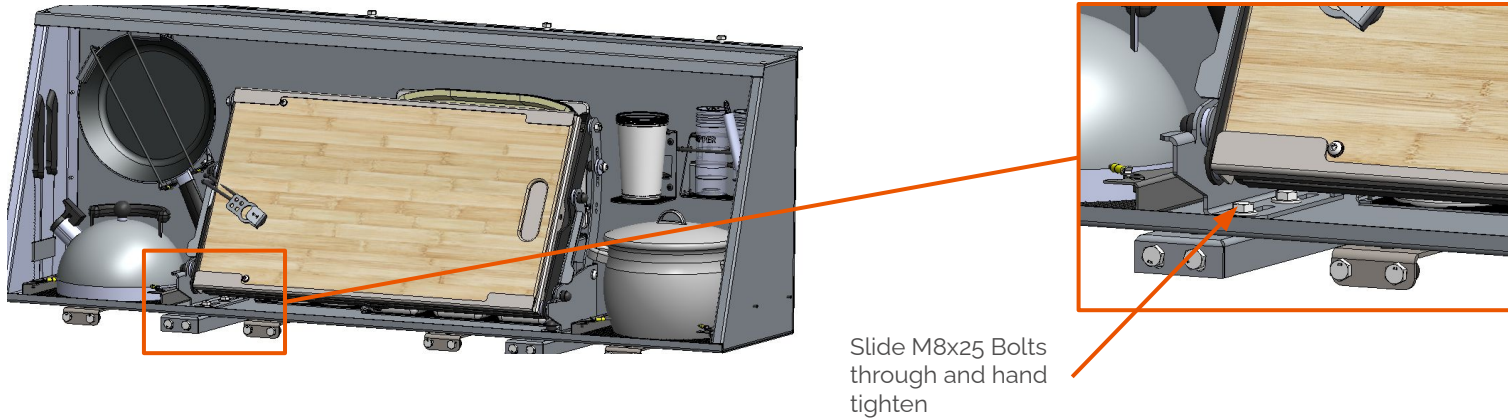
Align holes in
cupboard to slots
in brackets



Installation Instructions

Fitment for all applicable cupboards

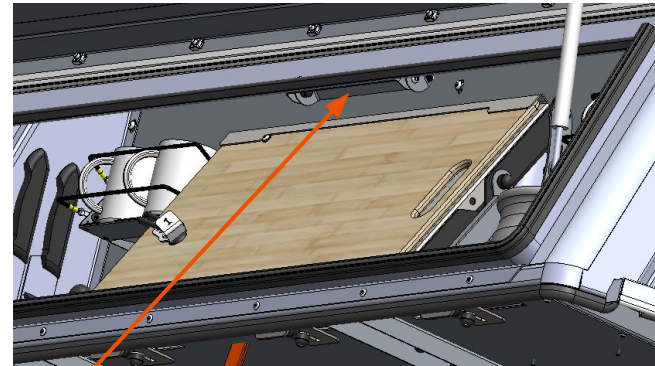
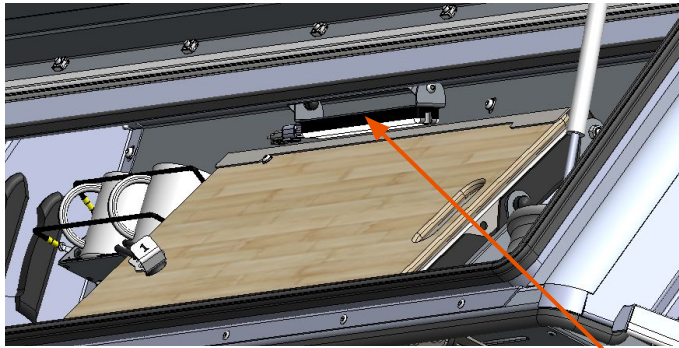
6. With the brackets securely in place, seat the Contour Kitchen Kit Drop Down Table inside the Cupboard. Align the holes in the bottom face of the cupboard with the slots in the Contour Kitchen Kit Drown Down Table's mount brackets. Use the supplied M8x25 hex bolts, oversized washers and nylock nut to partially fasten the Contour Kitchen Kit Drop Down Table down.



Installation Instructions

Fitment for all applicable cupboards

7. Test whether the table clears the light in the top of the canopy, fold the light up and whether the table clears the load bin of the vehicle.
8. Move the table back or forward if it does not clear either the load bin or the light and tighten the nuts down fully.



Fold light up

Table Usage Instruction

Step 1
Release Shock Cord
Tensioner



Step 2
Grab the pull indicator and
pull towards you



Step 3
Grab the top of the table and
pull towards you



Step 4
Pull the cutting board out

