



## FITMENT INSTRUCTIONS

Drop-down Table to Canopy Camper Rear Door

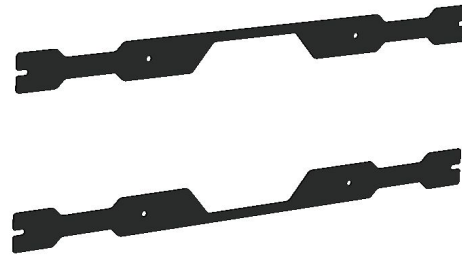
# Installation Instructions

---

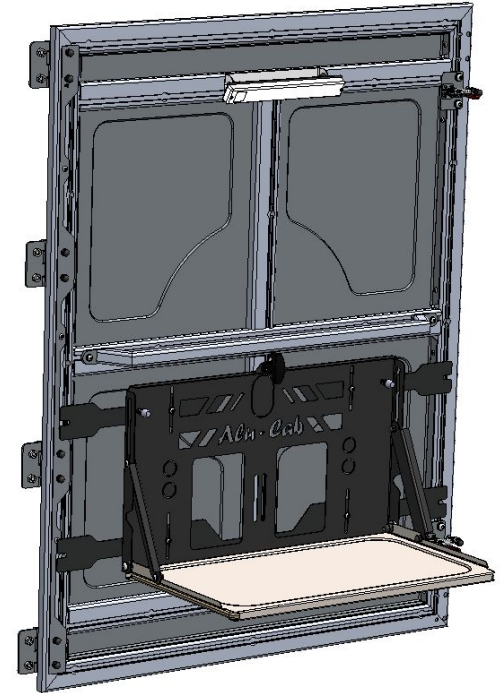
## Preliminary information

Installation and fitment instructions including tools required, fasteners, kit, and the hardware..

Please follow the instructions and check installation actions with the images in this document.



Service Enquiries email  
[queries@alu-cab.com](mailto:queries@alu-cab.com)



# Installation Instructions

Canopy Fitment – Tools, Fasteners & Hardware

1.1

## Tools & Items Required

13mm Spanner / Wrench / Socket
10mm Spanner / Wrench / Socket
Rivet gun

1.3

## Hardware Required

Canopy Camper Mounting plate	1
Drop Down Table	1

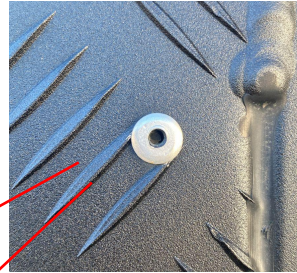
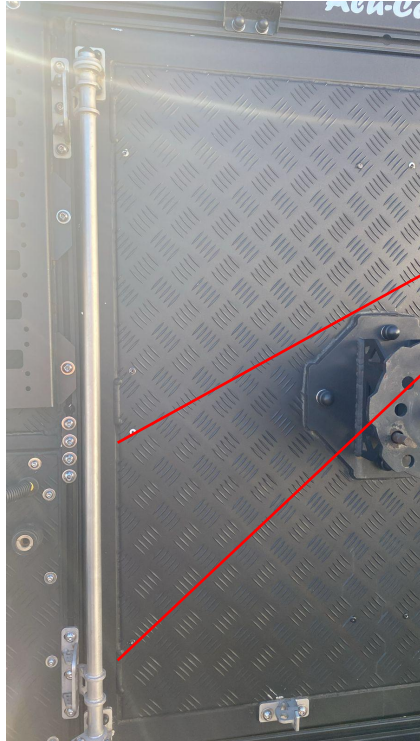
1.2

## Fasteners Supplied (included with Side Boxes)

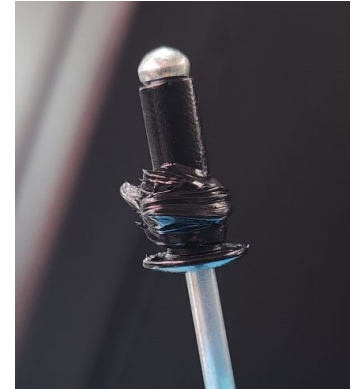
M6x16mm Cup Square Bolts	4
M8x16mm Hex bolts	4
M8 Nyloc Nuts	4
M6 Nyloc Nuts	4
M8 Flat Washer	4
M6 Flat Washer	4
M6 Nut Caps	4
4.8X10mm Black rivets	8

# Installation Instructions

If you wish to remove the rear bags from the camper door before fitting the table, please use the following steps:

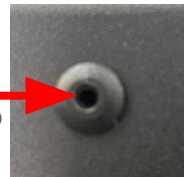


**A.** Locate the rivets that mount the bags to the inside of the rear door and drill them out from the outside of the door.



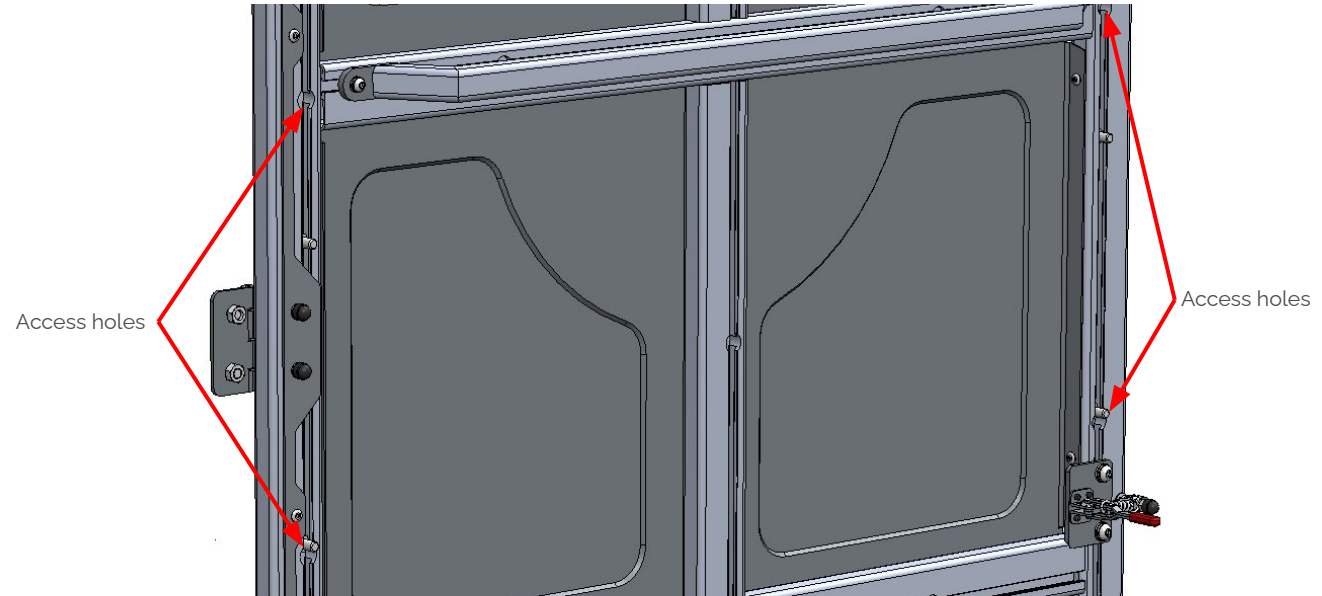
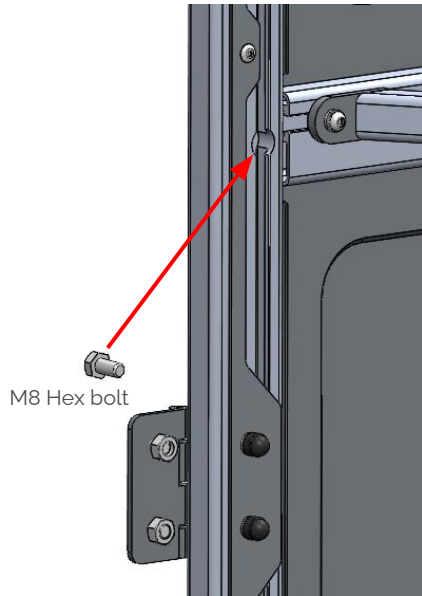
**B.** Place a small piece of sealant (preferably SikaFlex) on the black rivets supplied in the kit to plug up the holes made from drilling out the rivets.

**C.** Place a small piece of sealant (preferably SikaFlex) on hole of the rivet



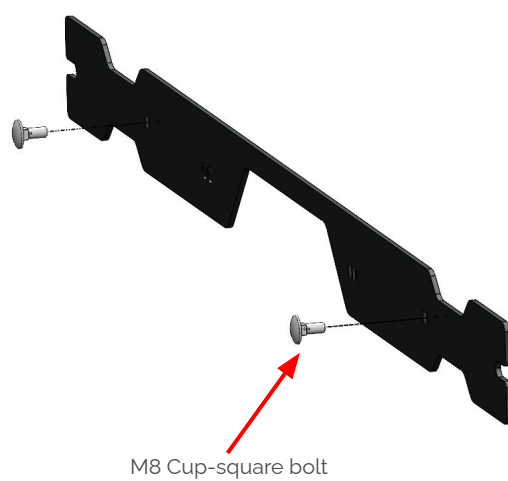
## Installation Instructions

- 2 Place the 4 x M8 Hex bolts into the access holes and slide then down the extrusion



## Installation Instructions

- 3.1 Place the M6 Cup Square bolts into the square holes in the brackets



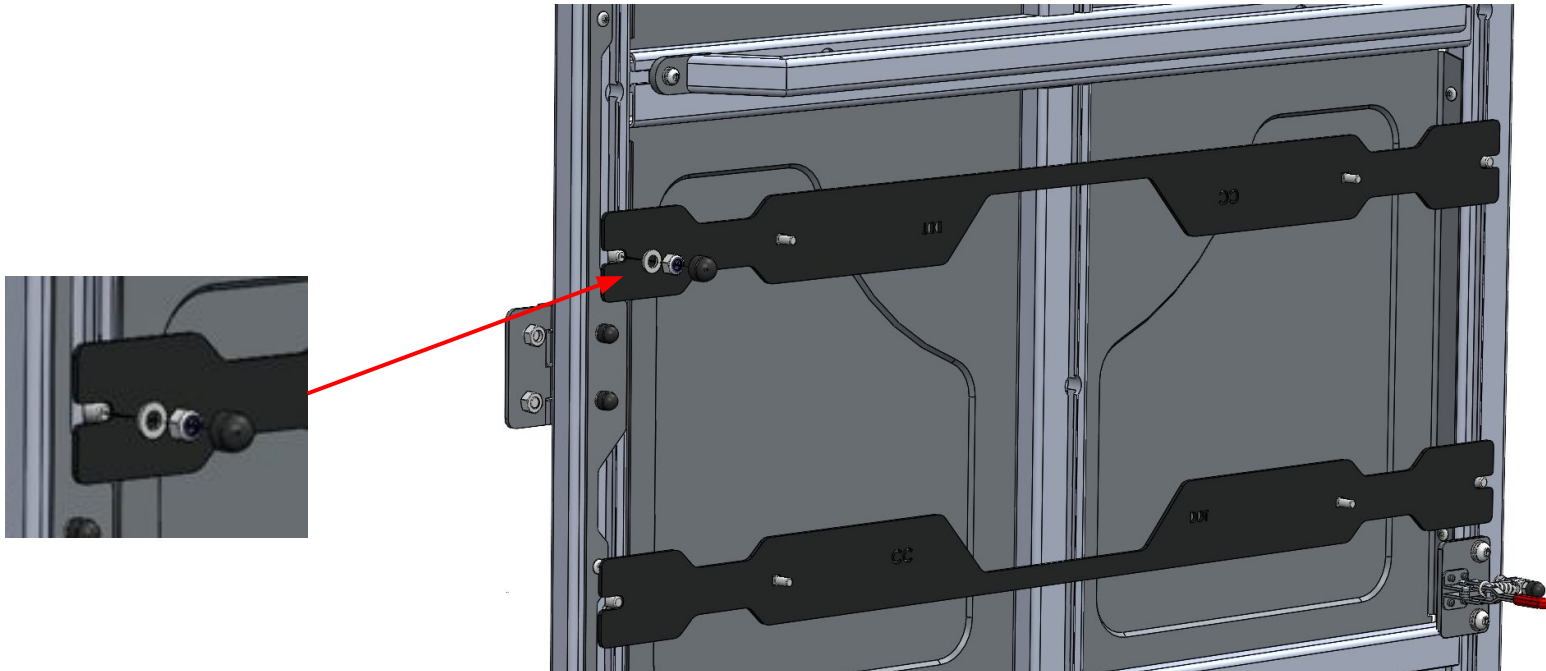
- 3.2 Secure the back of the bolts to the brackets using tape



## Installation Instructions

---

- 4 Fasten the M8 Nylock nut and washer onto the M8 bolt allowing the bolt to slide in the extrusion.

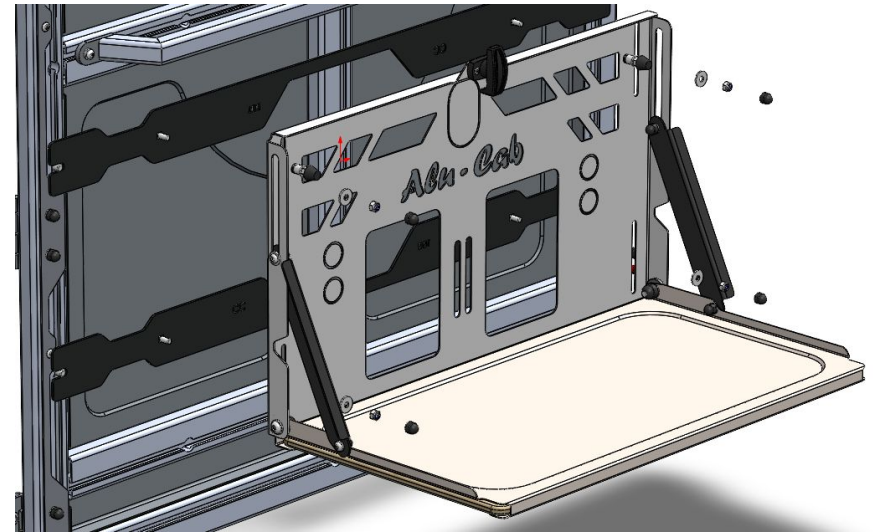
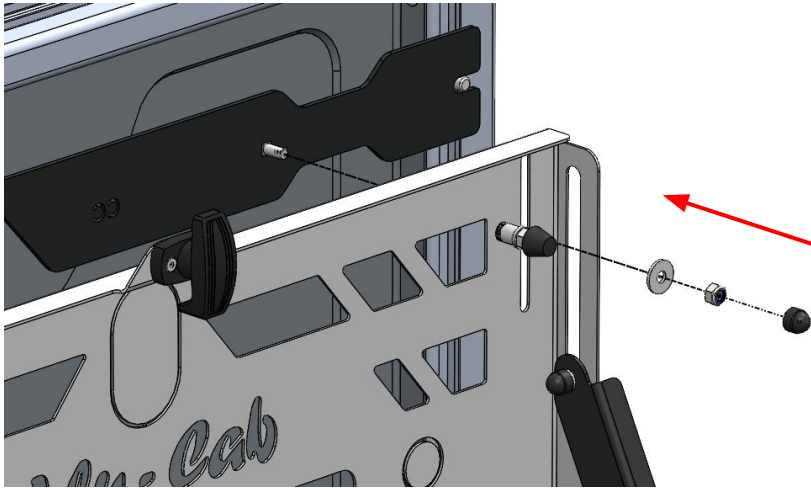


## Installation Instructions

4

Fasten the M6 washers and nyloc nuts to the cup square bolts and place the plastic nut-cap over the nut when tightened.

Congratulations, the table has been mounted







## FITMENT INSTRUCTIONS

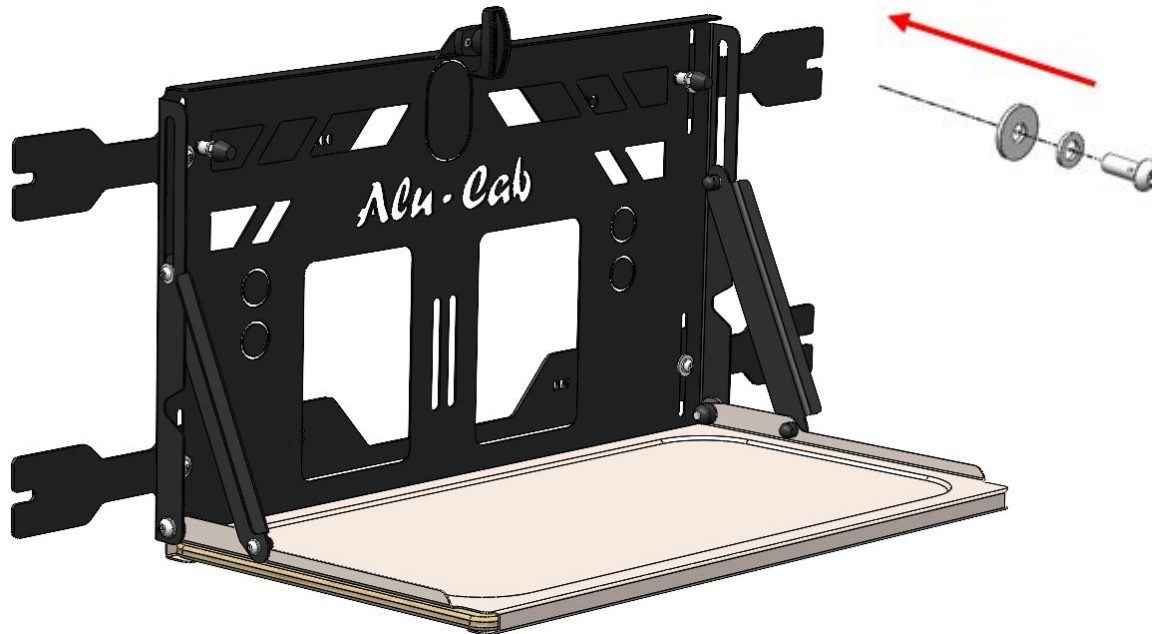
Drop down table to Canopy Camper rear door

Non - Nut Slot tubing

## Installation Instructions

7

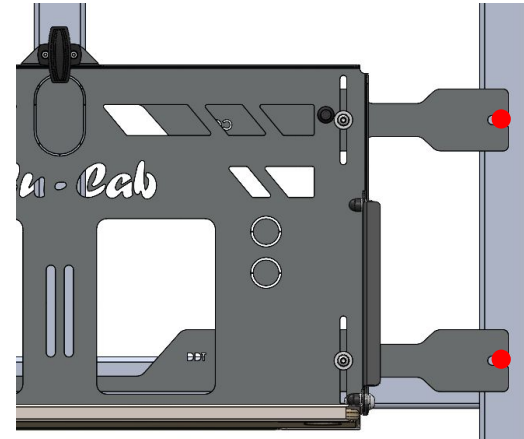
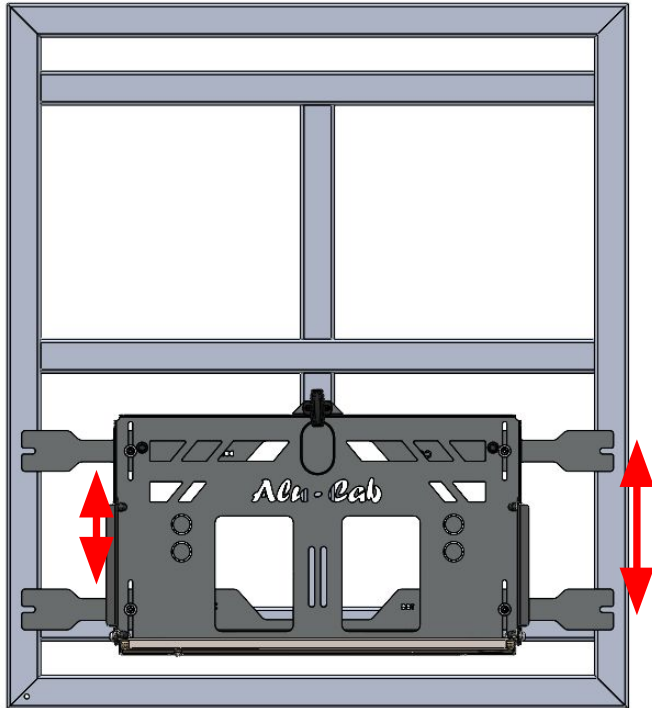
Loosely fasten the Drop-down Table to the two mounting plates using the steps in instruction number 5.



## Installation Instructions

8

Position the table and mounting plates at the desired height and location on the rear door of the Canopy camper.

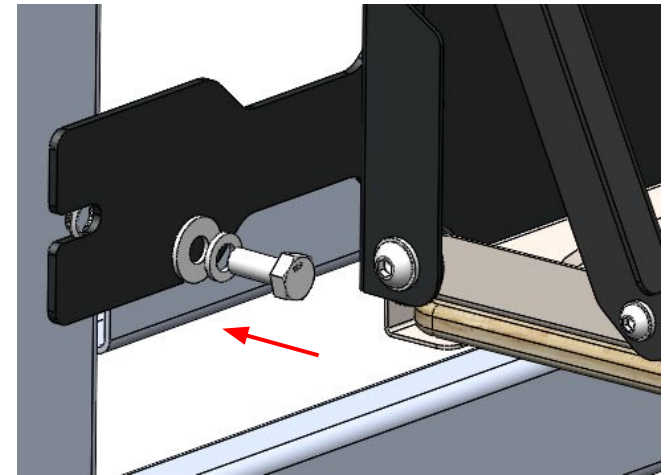
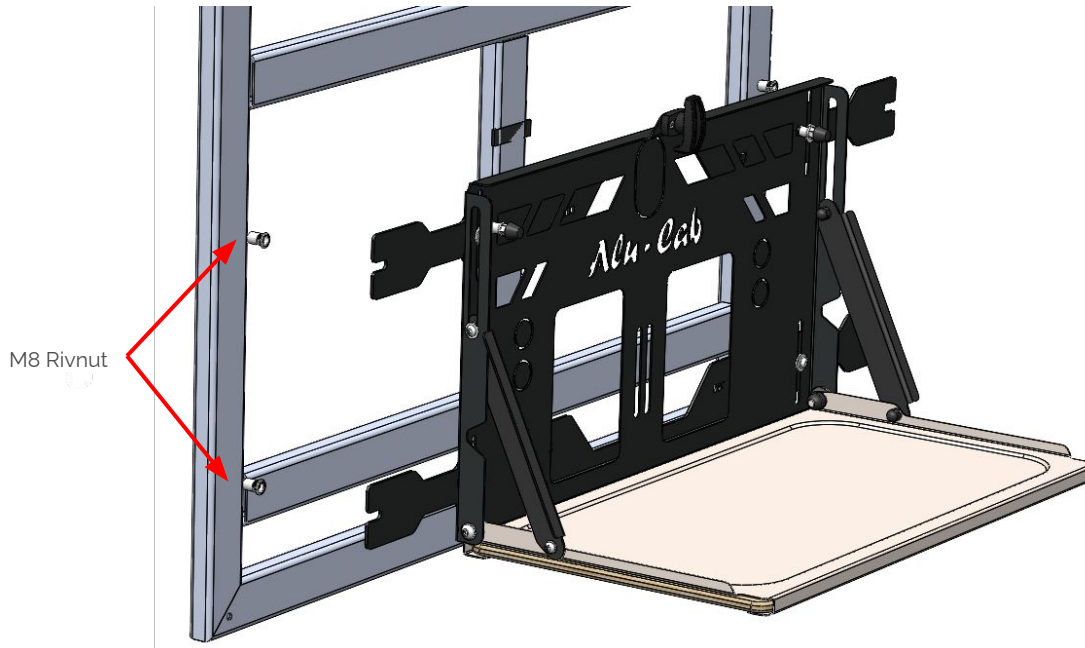


Mark the hole position for the M8 Rivnuts and using an 11mm drill bit, drill holes in the canopy camper door frame being careful to only drill through the single wall of the aluminum extrusion.

## Installation Instructions

9

Using a M8 Rivnut gun / tool, secure the Riv-nuts into the canopy campy door frame. Using the M8 Hex bolts, spring washers, and flat washers, fasten the mounting brackets to the door frame and after positioning it into place, fasten all the nuts and bolts tightly.



# Disclaimer

---

All rights reserved. No part of this website may be reproduced, translated, stored in a retrieval system, or transmitted, in any form or by any means, electronic, mechanical, photocopying, recording or otherwise, without prior written permission of the owner.

## **Review all instructions information carefully before installation.**

Any damages, direct or incidental to the installer and/or property due to incorrect installation of any parts are the responsibility of the installer. Due to the various applications and fitment options available, the responsibility lies with the user to ensure all mounting points are secure and tight before every trip.

If unsure, consult with your Distributor regarding the operations of our products.

Users are advised to be mindful of the load they are carrying and drive in accordance with road conditions.

## **WARNING**

Always wear appropriate PPE (Personal protection equipment) when fitting our products. Although the mounting kit is designed to be DIY, if you have any doubts or concerns, contact an accredited fitment centre to carry out the work. Alu-Cab will not be liable for any injury to persons, and/or damage to products and/or vehicles.

While Alu-Cab Holdings takes reasonable measures to ensure that the contents of this Website are accurate and complete, Alu-Cab Holdings makes no representations or warranties, whether express or implied, as to the quality, timeliness, operation, integrity, availability or functionality of this Website or as to the accuracy, completeness or reliability of any information on this Website. Alu-Cab Holdings reserves the right to make changes, corrections and/or improvements to the information and to the products and programs described in such information, at any time without notice.

Alu-Cab Holdings will use reasonable endeavours to maintain the availability of the Website, except during scheduled maintenance periods, and reserves the right to discontinue providing the Website or the service or any part thereof with or without notice to you. Any person who accesses this Website or relies on this Website or on the information contained in this Website does so at his or her own risk.

Occasionally, at our discretion, we may include or offer third-party products or services on our website. These third-party sites have separate and independent privacy policies. We therefore have no responsibility or liability for the content and activities of these linked sites. Nonetheless, we seek to protect the integrity of our site and welcome any feedback about these sites.